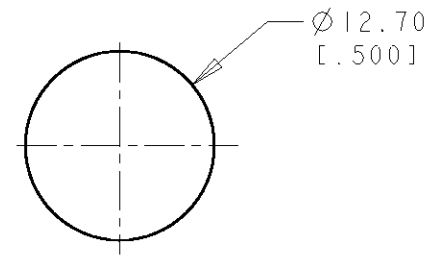


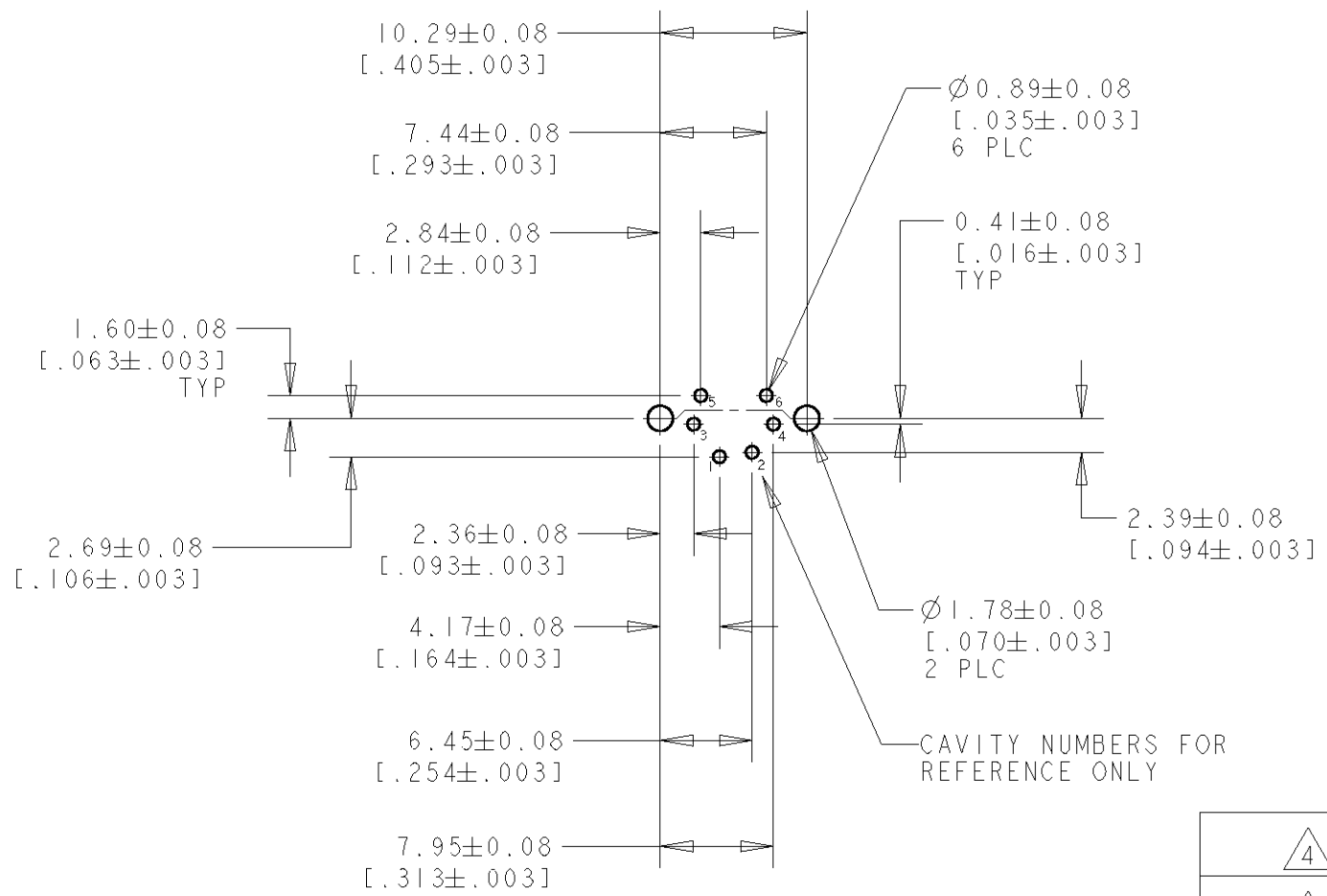
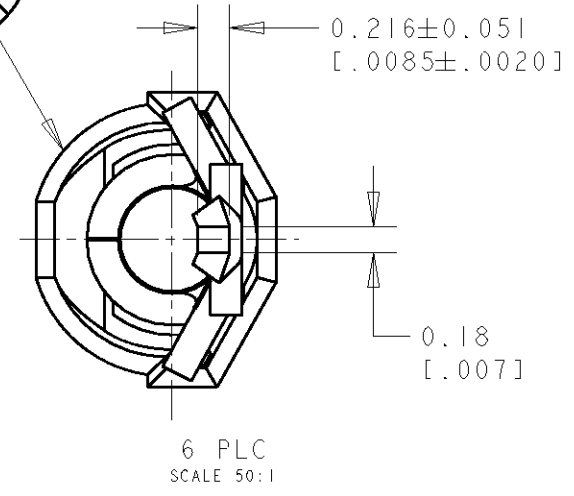
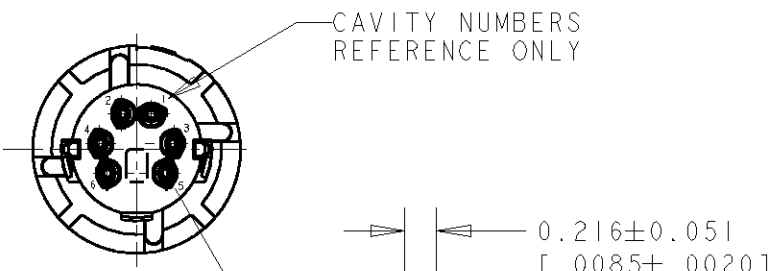
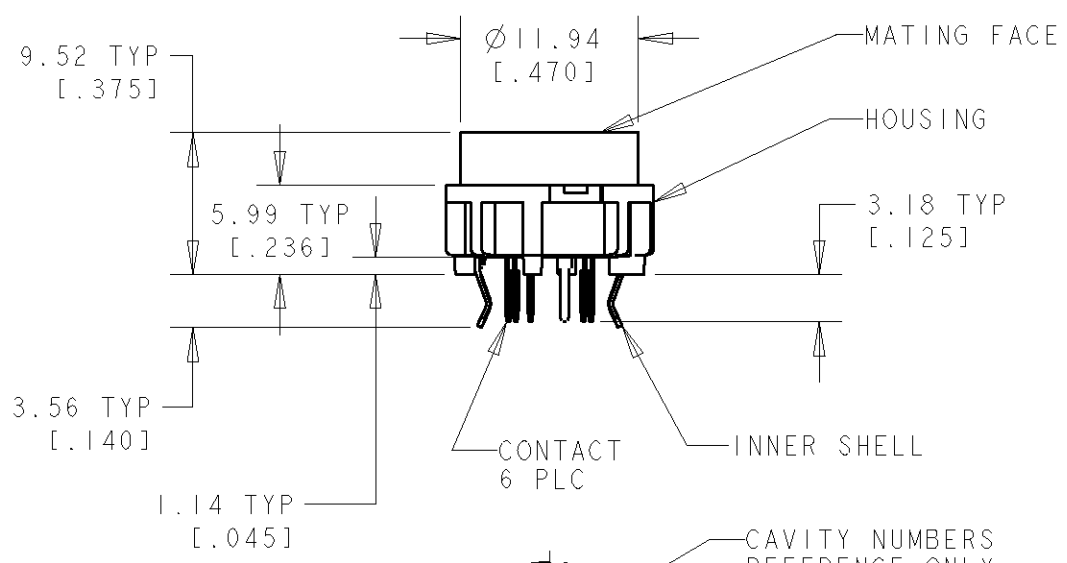
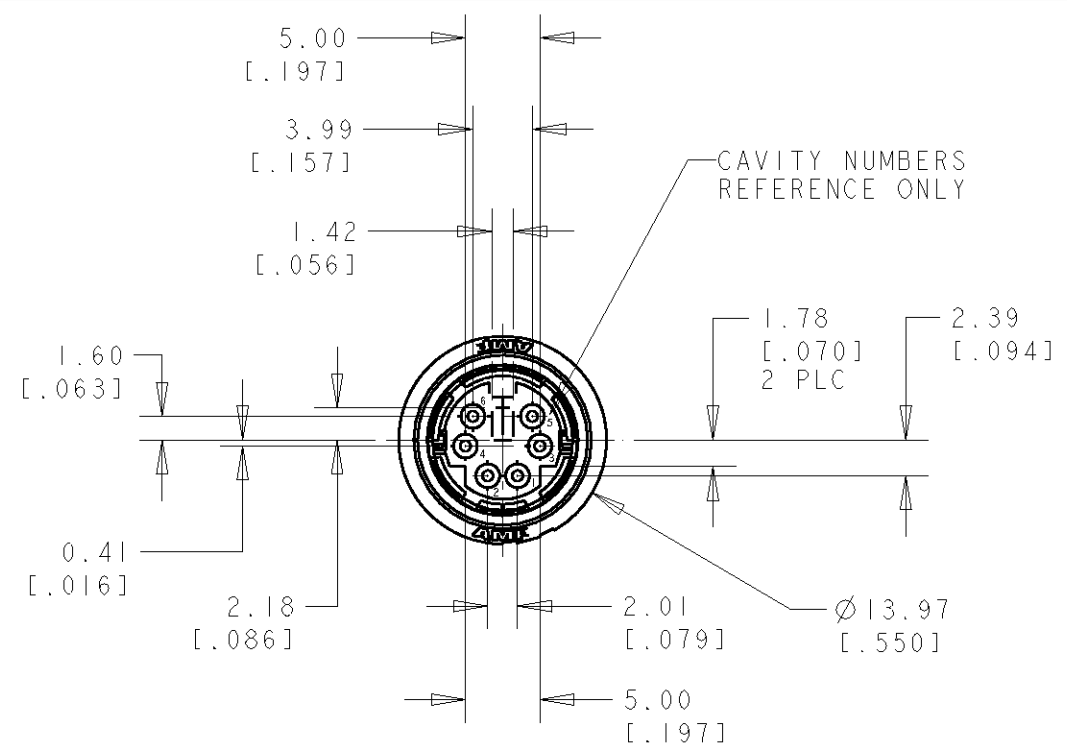
THIS DRAWING IS UNPUBLISHED. RELEASED FOR PUBLICATION .19  
 © COPYRIGHT 19 BY AMP INCORPORATED. ALL RIGHTS RESERVED.

LOC	DIST	REVISIONS					
		P	LTR	DESCRIPTION	DATE	DWN	APVD
DY	-	0		NPR ECR-05-008266	21JUN05	LWY	SYJ

- NOTES:
- 1 SHELLS: BRASS  
CONTACTS: PHOSPHOR BRONZE  
HOUSING: POLYESTER, UL 94V-0 RATED, BLACK
  - 2 0.76um [.000030] MIN GOLD ON MATING END FOR A LENGTH OF 1.37[.054] MIN ON INSIDE, 2.540um [.000100] MIN TIN FOR A LENGTH OF 3.30um [.130] MIN FROM OPPOSITE END, ALL OVER 1.27um [.000050] MIN NICKEL.
  - 3 0.38um [.000015] MIN GOLD ON MATING END FOR A LENGTH OF 1.37[.054] MIN ON INSIDE, 2.540um [.000100] MIN TIN FOR A LENGTH OF 3.30um [.130] MIN FROM OPPOSITE END, ALL OVER 1.27um [.000050] MIN NICKEL.
  - 4 2.54um [.000100] MIN TIN OVER 1.27um [.000050] MIN COPPER
  - 5. RECEPTACLE ASSEMBLY MATES WITH 6 PIN, Ø8.99±0.10 [.354±.004] PLUG.



RECOMMENDED PANEL CUT-OUT



RECOMMENDED PC BOARD LAYOUT  
BOTTOM VIEW

4	2	5750327-2
4	3	5750327-1
INNER SHELL FINISH	CONTACT FINISH	PART NO.

THIS DRAWING IS A CONTROLLED DOCUMENT FOR AMP INCORPORATED. IT IS SUBJECT TO CHANGE AND THE CONTROLLING ENGINEERING ORGANIZATION SHOULD BE CONTACTED FOR THE LATEST REVISION.		DWN WYLEE 21JUN2005	Tyco Electronics Singapore Pte. Ltd.	
DIMENSIONS: mm [INCHES]	TOLERANCES UNLESS OTHERWISE SPECIFIED:	CHK YJ SEE	NAME RECEPTACLE ASSEMBLY, 6 POSN, LOW FLANGE, UNSHIELDED, VERTICAL, MINIATURE CIRCULAR DIN, LF	
	0 PLC ± -	APVD SF LEONG	PRODUCT SPEC	SIZE A3
	1 PLC ± -	PRODUCT SPEC	APPLICATION SPEC	CAGE CODE 00779
	2 PLC ± 0.13 [.005]	WEIGHT	DRAWING NO 5750327	SCALE 10:1
	3 PLC ± -	CUSTOMER DRAWING	SCALE	SHEET 1 OF 1
	4 PLC ± -	FINISH SEE TABLE	REV 0	
	ANGLES ± -			